

Nouveau Roman Blind System



- The Nouveau Roman Blind System has a unique Chain Mechanism.

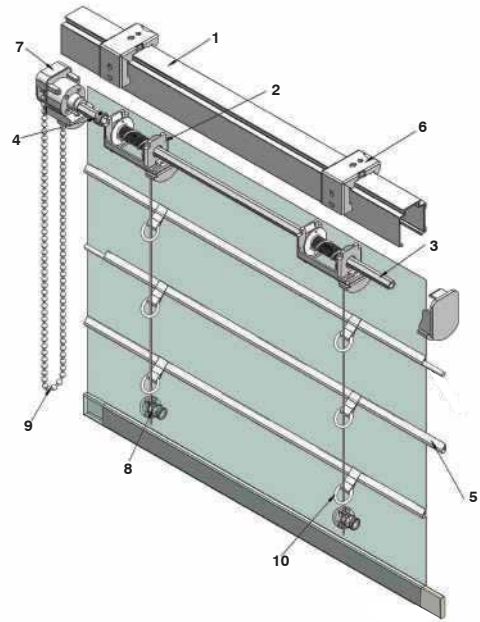
Unique features of Nouveau Roman Blind System



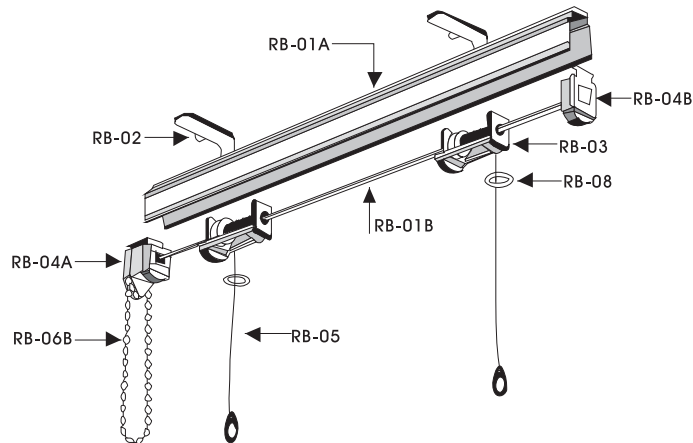
The Nouveau Roman blind System has a unique chain mechanism that enables to easily raise and lower the blind.

No need to struggle with tying and opening or locking the blind cords to raise and lower them as in the available systems.

The System is easy to assemble and use.

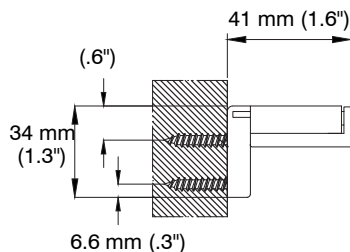


Structure Drawing - Nouveau Roman Blind

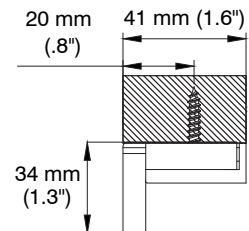


Installation Dimensions

Wall Attachment



Ceiling Attachment

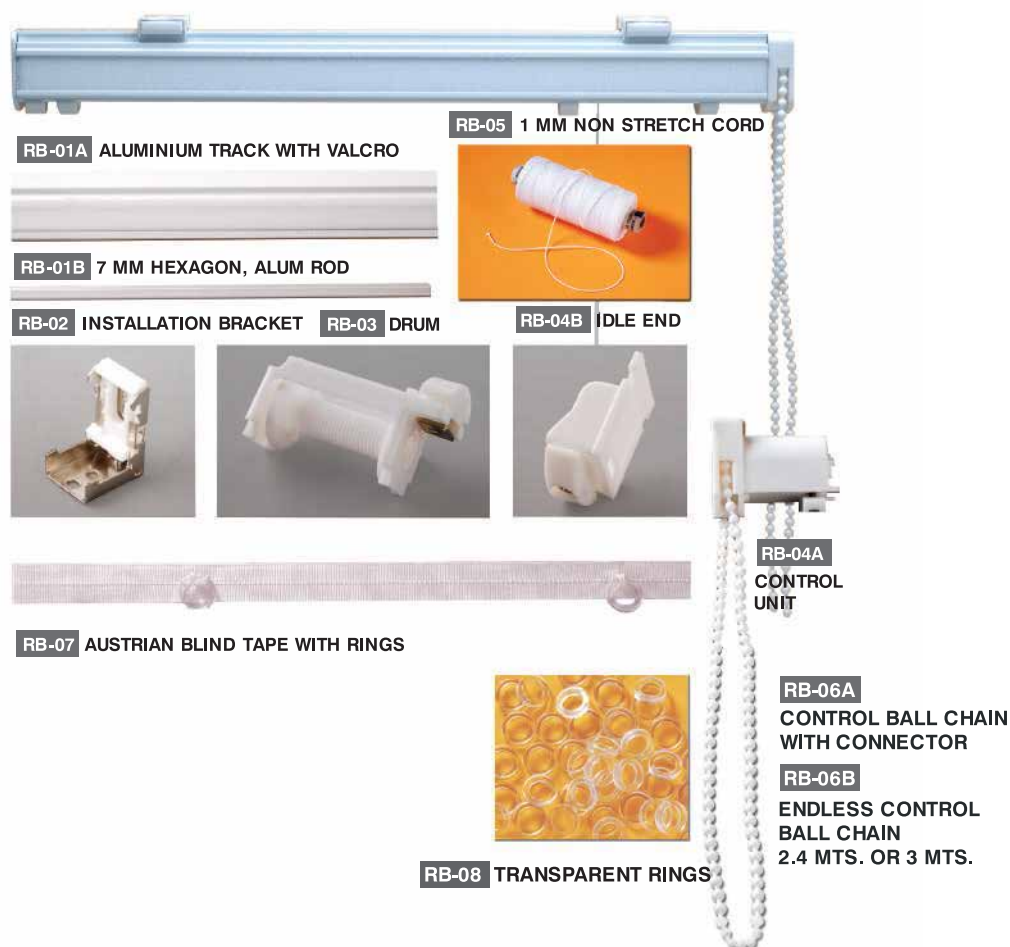


Components and Materials

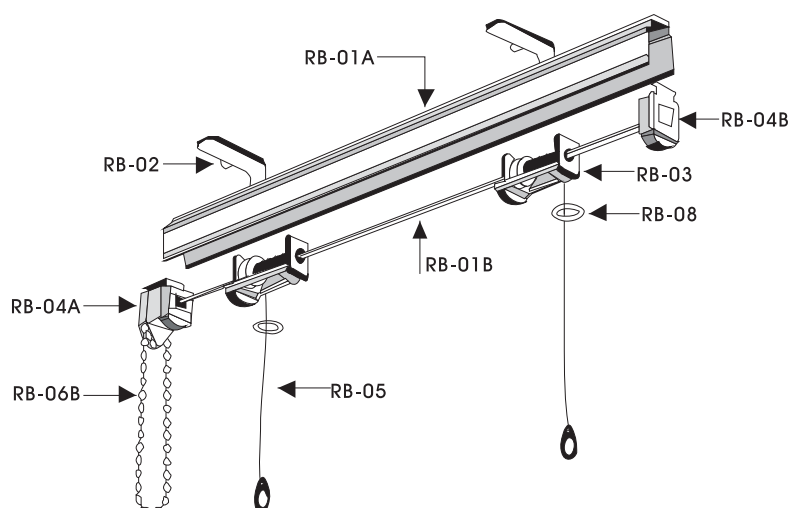
Sr. No.	Product Code	Component	Material
1	RB-01A	Curve Track	Aluminum
2	RB-04A	Control Unit	Molded Resin
3	RB-01B	Rod Ø 7 mm	Aluminum
4	RB-03	Drum	Molded Resin
5	RB-07	Austrian Blind Tape	Nylon

Sr. No.	Product Code	Component	Material
6	RB-02	Bracket	Stainless Steel
7	RB-04B	End Cap	Molded Resin
8	RB-05	Pull Cord	Cotton Thread
9	RB-06B	Ball Chain	Molded Resin
10	RB-08	Transparent Ring	Plastic

Nouveau Roman Blind Components



Assembling the Nouveau Roman Blind components



Suggestions for making a Perfectly Operating Blind :

1. The cord (RB-05) must start at the same position from all drums and the position of the cord knot should be outside the drum.
2. Make sure the position of the Drums (RB-03) is such that the point at which the cords start from the drums they fall exactly in the centre of the rings attached to the fabric.
3. While making Blinds make sure that the rings are in a straight line both horizontally and vertically. For making Austrian Blinds you can use our Austrian Blind Tape with pre attached rings (RB-07) to produce a modern blind. Rods are not needed for making Austrian blinds.